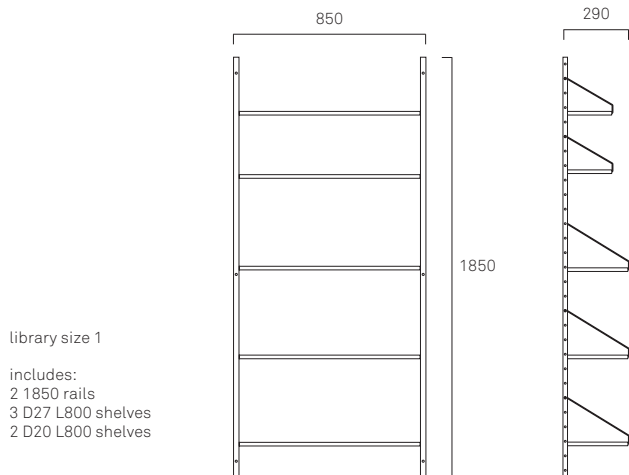
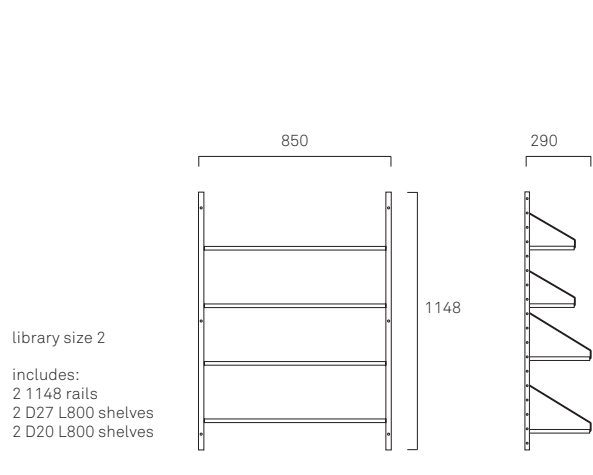


# SHELF LIBRARY



library size 1

includes:  
2 1850 rails  
3 D27 L800 shelves  
2 D20 L800 shelves



library size 2

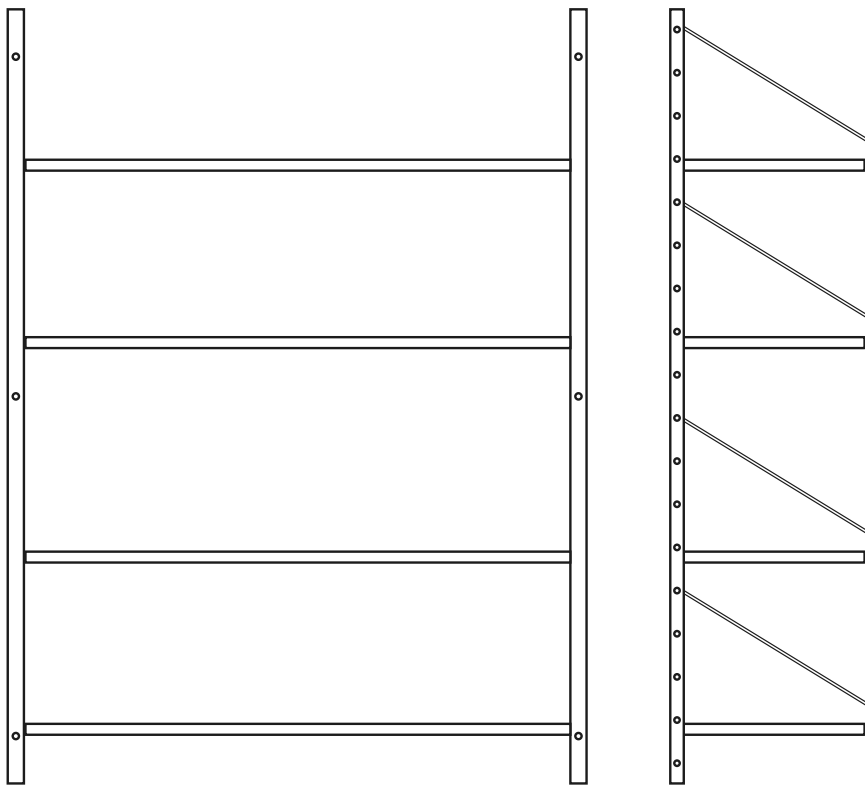
includes:  
2 1148 rails  
2 D27 L800 shelves  
2 D20 L800 shelves

<b>Design</b>	Kim Richardt
<b>Year</b>	2012
<b>Typology</b>	Shelf
<b>Collection</b>	Permanent furniture
<b>Origin</b>	Denmark /Sweden
<b>Material Brackets</b>	Stainless steel
<b>Material Rails</b>	Natural oiled oak
<b>Assembly</b>	Brackets and rails packed separately, comes with a combination of D200 and D270 shelves with coordinating wall anchors and bolts, sold as a set

Product	Item No.	EAN code
Library size H1148	7230	5712828072309
Extra Shelf Library section H1148	7231	5712828072316
Library size H1852	7220	5712828072200
Extra Shelf Library section H1852	7221	5712828072217
Shelf library desk (add.)	7044	5712828070442
Shelf library brackets D40 (add.)	7209	5712828227204

# SHELF LIBRARY

Designed by Kim Richardt



# FRAMA

# SHELF LIBRARY ASSEMBLY GUIDE

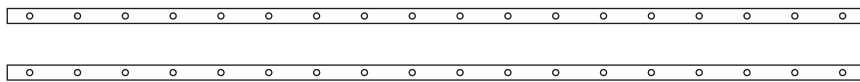
## CONTENTS:

In this box you will find:

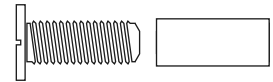
- Set of bolts, corresponding with shelves
- Set of rail anchors, corresponding with shelves
- Set of wall screws, corresponding with rail length
- 1 Set of Shelf Library Brackets
- 1 Set of Shelves
- 2 Shelf Library rails

Necessary Tools:

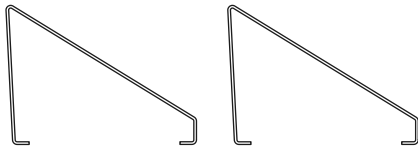
- Leveling guide
- Square edge
- Screwdriver
- Drill



Wall Rails



Rail Bolts



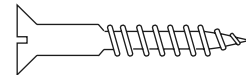
Set of Brackets



Shelves



Rail Anchors



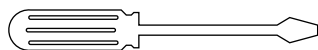
Wall Screws



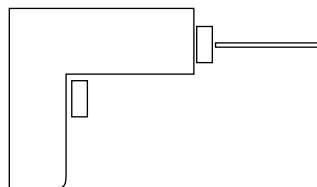
Level



Square edge



Screwdriver

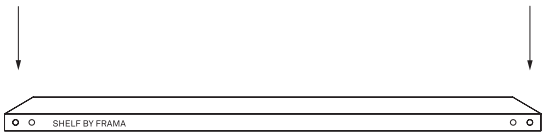


Drill

# SHELF LIBRARY ASSEMBLY GUIDE

## 1. ASSEMBLING SHELVES:

Start by locating the back of the shelf, in which the small holes are located closest to the edge of the wood. The back of the shelf is stamped with a Frama logo. Beginning with the front side, insert the metal bracket inside the front hole close to the edge. Repeat on the back end of the bracket, inserting into the hole closest to the edge.



Insert bracket in hole closest to edge



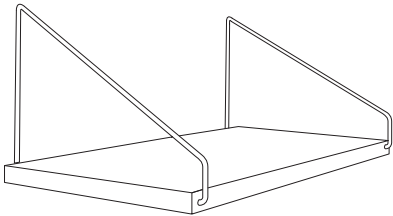
Front view shelf with bracket

## 1. ASSEMBLING RAILS:

Pick desired location on wall for Shelf Library. Start by marking a small line with a square edge to ensure the first rail is fastened straight. Then fasten the front of the first rail to the wall using the supplied screws. Beginning with the top hole, drill in the rail in place ensuring it is level. (Please note the placement of the first rail forms the base of the rest of the system)

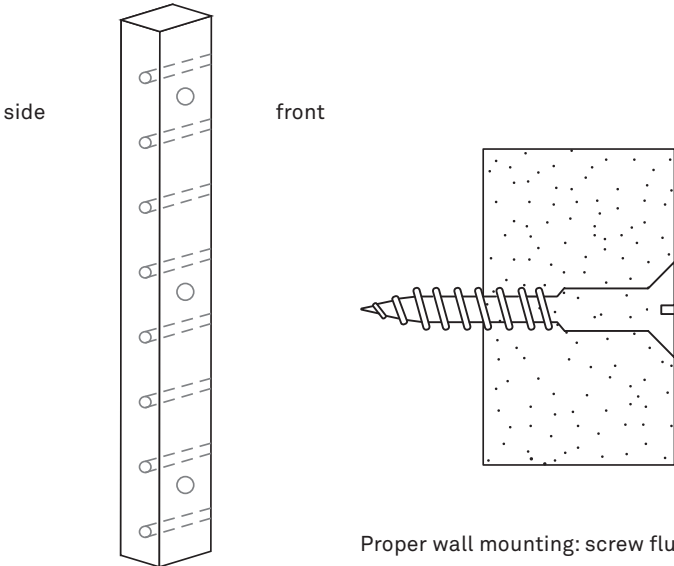
Place a bolt in the top of the rail, and attach an assembled shelf within the bolt. Repeat on the bottom with a second shelf. The shelves should sit on top of the rail. Repeat with the second, unattached rail, using the shelves as a measurement guide. Ensure the second rail is straight with a straight edge.

Once the two rails are in place, determine the desired placement of the shelves and fasten one at a time.

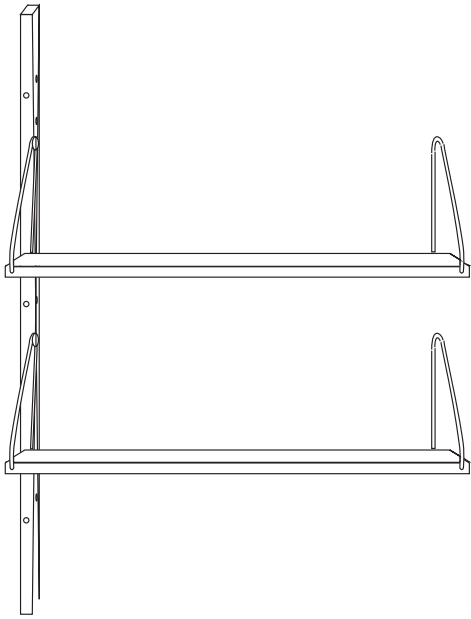


Side view shelf with bracket

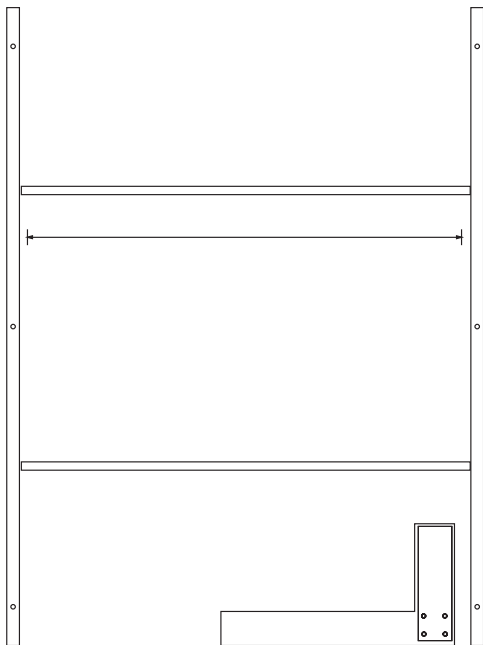
Rail details:



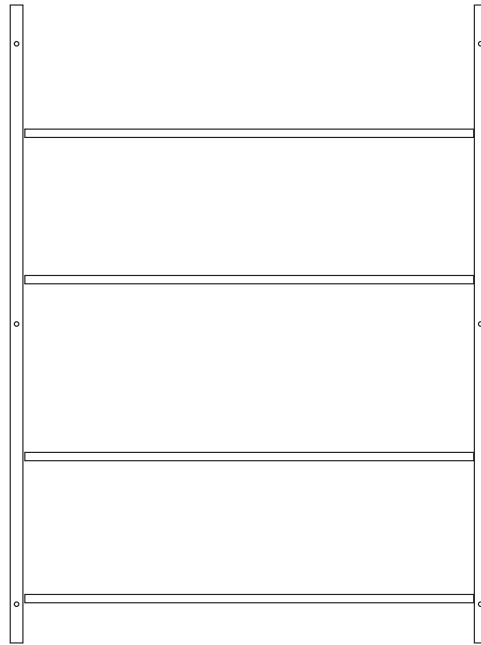
Proper wall mounting: screw flush with edge



Using shelf to measure distance to next rod.



Measure and mark second rail placement with a square edge.



Assembled Shelf Library

# SHELF LIBRARY ASSEMBLY GUIDE

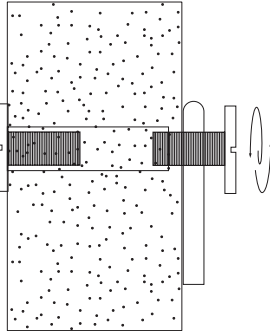
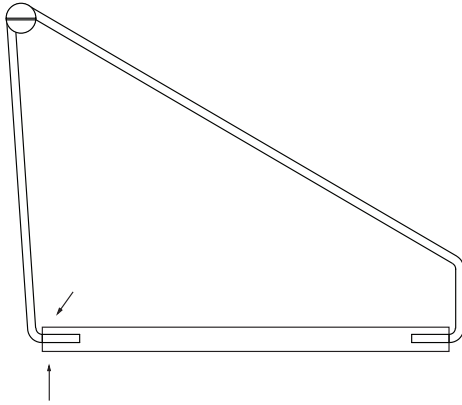
## 1. ASSEMBLING SHELF SYSTEM:

Once rails are mounted on walls, start placing shelves by inserting the unfastened bolt through the desired side hole.

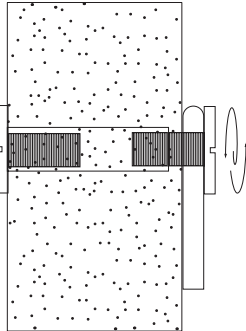
Next place the bracket on the inner thread of the bolt and screw in the other side tight. Remembering that the shelf sits atop the front side of the rail, repeat on the opposite side.

To place a shelf on the opposite side, simply use the same bolt, tightening the other shelf around the thread as before.

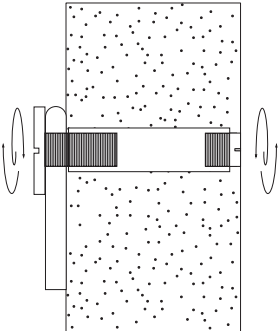
To create a dynamic system with shelves at different heights, use the rail anchors on the opposite side of the shelf instead of the bolt, to allow space for shelves of different heights.



Bracket places on thread of bolt, to be tightened



Proper alignment of bracket on bolt tightened



Proper alignment of bracket on bolt tightened with rail anchor

# SHELF LIBRARY MAINTENANCE GUIDE

## CLEANING:

Daily cleaning is done with a soft cloth wrung out in clean water. Avoid using cleaners containing any type of chemicals on the furniture.

1. Clean the furniture using a clean cloth dampened with warm water.
2. Once the furniture is dry, apply oil to a clean soft cloth or sponge - do not pour the oil directly on the wood
3. Rub the oil into the wood in the direction of the grain, treating the entire surface of the furniture piece.
4. Let the oil soak for about two hours, then remove any excess oil with a soft clean dry cloth.
5. Rub the surface with a clean soft cloth until a uniform surface is obtained, then let dry.

## NOTE:

End grain (edges), should be treated extra frequently to avoid dryness and cracking in the dry season (winter). Irregular distribution of moisture in the wood can cause unnecessary cracks and gap. To avoid this we recommend oiling both the top and underside of the furniture.

# CLEANING & MAINTENANCE OF OILED WOOD FURNITURE

*Regular maintenance of oiled wooden furniture is both easy and efficient for long term use. To achieve an optimal result we recommend oiling your product twice a year. We recommend a natural wood oil. All collection pieces are for indoor use.*

## **CLEANING:**

Daily cleaning is done with a soft cloth wrung out in clean water. Avoid using cleaners containing any type of chemicals on the furniture.

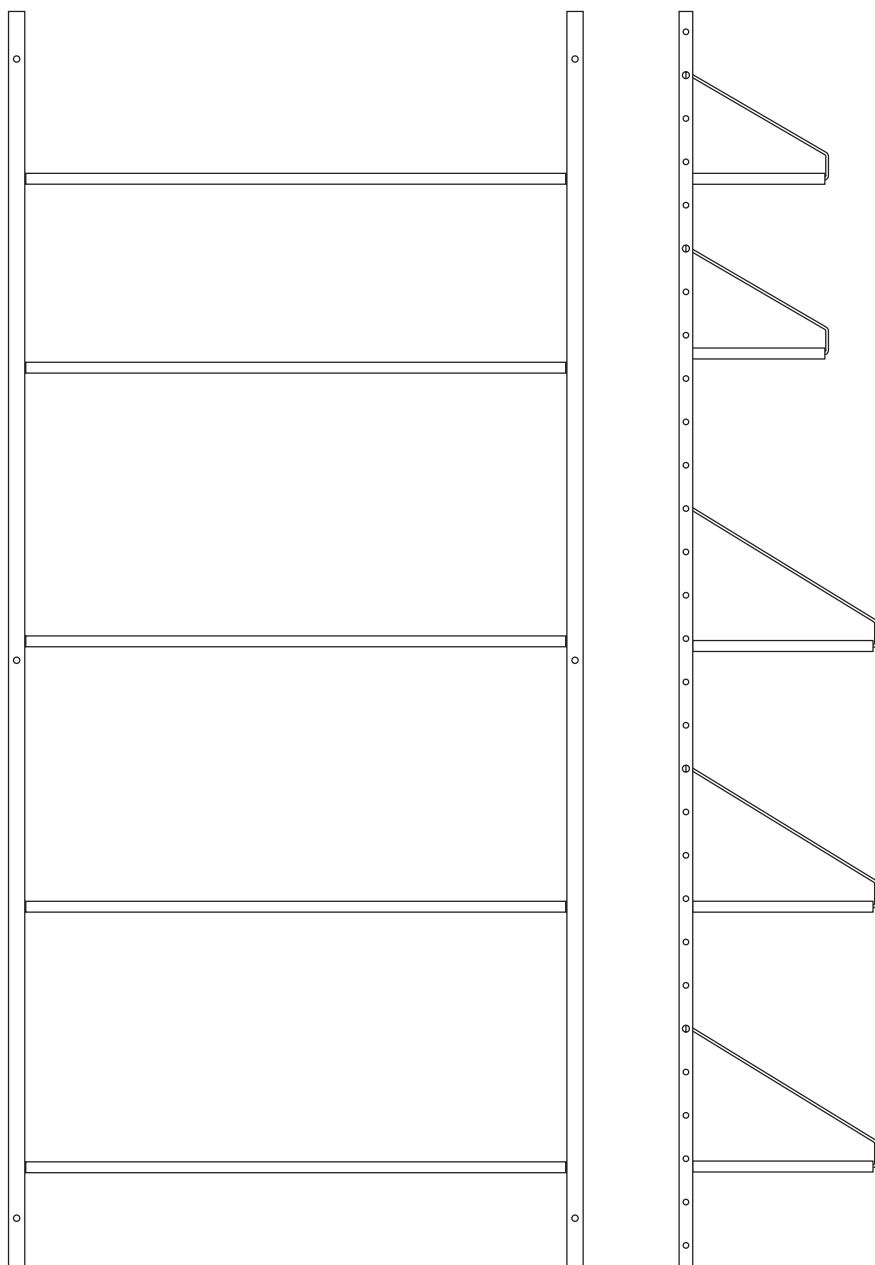
## **OILING TREATMENT:**

1. Clean the furniture using a clean cloth dampened with warm water.
2. Once the furniture is dry, apply oil to a clean soft cloth or sponge - do not pour the oil directly on the wood
3. Rub the oil into the wood in the direction of the grain, treating the entire surface of the furniture piece.
4. Let the oil soak for about two hours, then remove any excess oil with a soft clean dry cloth.
5. Rub the surface with a clean soft cloth until a uniform surface is obtained, then let dry.

## **NOTE:**

*End grain (edges), should be treated extra frequently to avoid dryness and cracking in the dry season (winter). Irregular distribution of moisture in the wood can cause unnecessary cracks and gap. To avoid this we recommend oiling both the top and underside of the furniture. Be aware that oily rags can ignite spontaneously. Rags and papers used in the oiling process will be flammable. Air dry after use.*





**FRAMA**

# FRAMA

Org. St. Pauls Apotek - Fredericiagade 57 - Copenhagen - Denmark